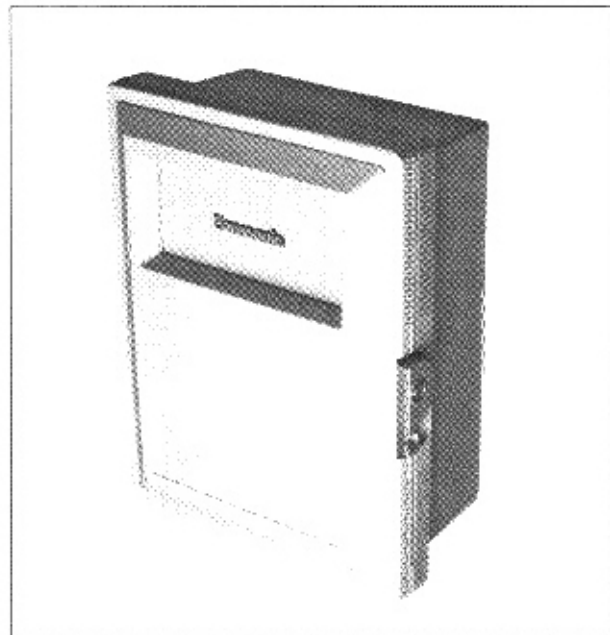


Panasonic®

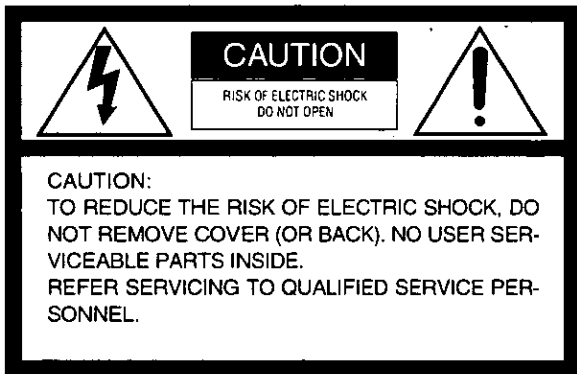
AC Adaptor

Model No. **AW-PS600**

Operating Instructions



Before attempting to connect or operate this product,
please read these instructions completely
and save this manual for future use.



SA 1965

The lightning flash with arrowhead symbol, within an equilateral triangle, is intended to alert the user to the presence of uninsulated "dangerous voltage" within the product's enclosure that may be of sufficient magnitude to constitute a risk of electric shock to persons.



SA 1966

The exclamation point within an equilateral triangle is intended to alert the user to the presence of important operating and maintenance (servicing) instructions in the literature accompanying the appliance.

For U.S.A.

NOTE: This equipment has been tested and found to comply with the limits for a Class A digital device, pursuant to part 15 of the FCC Rules. These limits are designed to provide reasonable protection against harmful interference when the equipment is operated in a commercial environment. This equipment generates, uses, and can radiate radio frequency energy and, if not installed and used in accordance with the instruction manual, may cause harmful interference to radio communications. Operation of this equipment in a residential area is likely to cause harmful interference in which case the user will be required to correct the interference at his own expense.

For CANADA

This Class A digital apparatus complies with Canadian ICES-003.
Cet appareil numérique de la classe A est conforme à la norme NMB-003 du Canada.

The information marking of this product may be found on the bottom of the unit.

The serial number of this product may be found on the bottom of the unit.

You should note the serial number of this unit in the space provided and retain this book as a permanent record of your purchase to aid identification in the event of theft.

Model No. _____

Serial No. _____

CONTENTS

WARNING/CAUTION FOR SAFETY	4
PREFACE	5
MAJOR OPERATING CONTROLS AND THEIR FUNCTIONS	6
MOUNTING	8
■ Caution for Installation	9
■ Mounting Procedures	9
CONNECTION	11
■ Connection with Pan/Tilt Head	11
■ AC Power Input Connection	12
■ Service Switch Connection	13
APPEARANCE	14
SPECIFICATIONS	15
STANDARD ACCESSORIES	15

WARNING/CAUTION FOR SAFETY



WARNING

- **Refer all servicing to qualified personnel**
To reduce the risk of electric shock, don't remove cover or back, unless you are a qualified personnel. Refer all mountings, connections, servicing to qualified service personnel.
- **No water or moisture inside**
Do not let water or moisture into the product, or expose it to moisture, to prevent a fire and electric shock.
- If you see smoke or smell an odor from the product, if water or other foreign matter gets inside, if it is damaged by dropping, or if you find anything wrong with it, immediately stop using it.
- **Do not disassemble or modify the product to prevent a fire and electric shock.**



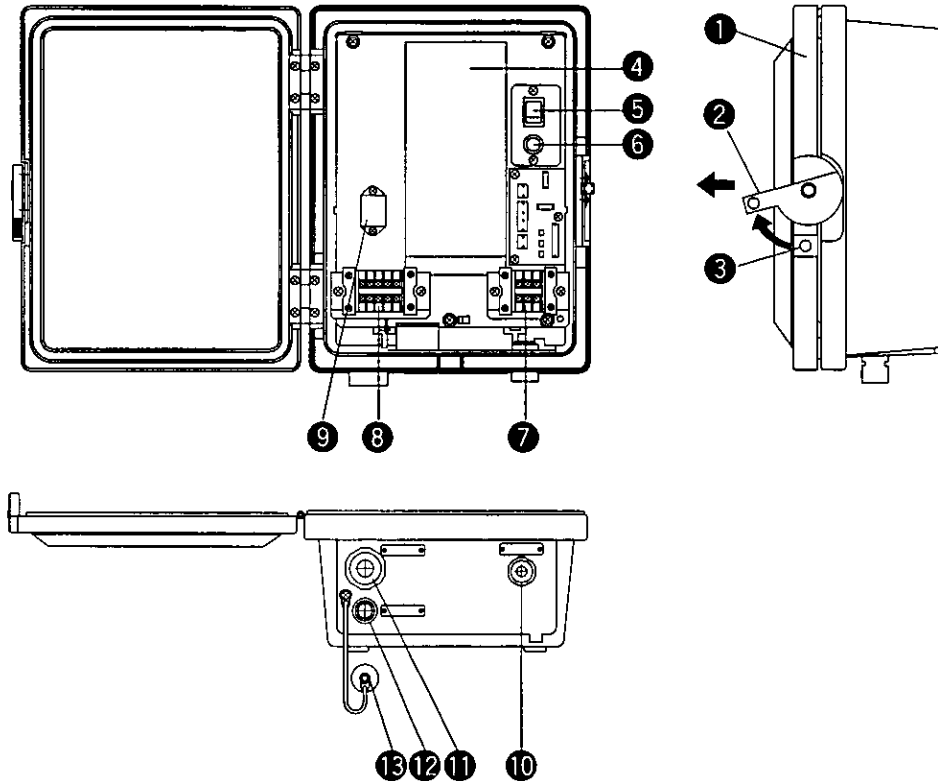
CAUTION

- **Install it at a stable place and fasten it securely.**
The product may fall due to unstable installation, possibly causing injuries and accidents.
- Do not install this product near any object that burns easily.
In case of using a halogen lamp, installation of it near such an object could cause a fire due to the heat generated by the lamp.

PREFACE

The AW-PS600 is an AC adaptor for outdoor pan/tilt head for the Panasonic series of convertible cameras. An outdoor pan/tilt head system can be built by combining this adaptor with the outdoor pan/tilt head AW-PH600 and the camera housing AW-CH600.

MAJOR OPERATING CONTROLS AND THEIR FUNCTIONS



1 Cover

Remove lever lock screw ③, pull lever ② in the arrow direction, and open the cover before starting connection. To close the cover, reverse the above: Close the cover, then tighten the lever lock screw securely.

2 Lever

The cover can be opened by pulling the lever in the arrow direction.

3 Lever lock screw

For safety, be sure to keep this screw tightened during use after finishing the work.

4 DC power unit

This unit supplies a DC output of 15 V, 8 A (maximum) when an AC input of 120 V is supplied.

5 Power switch [POWER ON/OFF]

This switch is used to supply AC power to the DC power unit. Keep the switch in the ON position during use.

6 Fuse holder/fuse

A fuse for protecting the DC power unit is in the fuse holder. A burnt fuse may be caused by a DC power unit defect. In such a case, consult the store

where you purchased it.

7 AC power input terminal board [AC IN L/N]

This terminal board is for connecting AC input power. (AC 120 V, 60 Hz, 1.4 A)

8 DC output terminal board [DC OUT +/-SERVICE IN]

This terminal board is for supplying DC power of 15 V to the pan/tilt head and camera housing. SERVICE IN is the control terminal for the service switch relay, which can be turned on and off from the control panel.

9 Service switch relay

This switch relay permits contact ON/OFF control from a control panel (AW-RP301, AW-RP305, AW-RP501, or AW-RP505).

10 Bushing for AC power input cable [AC IN]

This bushing holds the AC input cable in place. It is good for cables 4 mm to 10 mm in diameter.

11 Bushing for DC power output cable [DC 15V OUT/SERVICE IN]

This bushing holds the DC output cable in place. It is good for cables 13 mm to 18 mm in diameter.

12 Service switch contact output connector

[SERVICE OUT]

This is a contact output terminal for relay 9. The contact is turned on or off when the OP (option) switch on a control panel (AW-RP301, AW-RP305, AW-RP501, or AW-RP505) is pressed on or off. Use it as a spare switch. (Maximum contact capacity is 120 V, 1 A (120 W) AC/DC.)

13 Connector cap

Keep this cap tight and secure on the service switch contact output connector while the service switch is not in use.

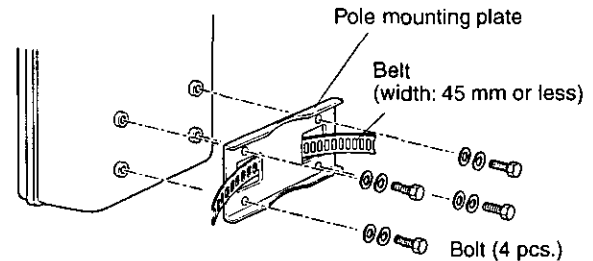
MOUNTING

■ Caution for Installation

- Be sure to use waterproof connecting cables.
- Be sure to keep AC power switched off during installation and connection.
- Before pressing the power switch on, make sure that all, including the housing and pan/tilt head, have been installed and connected completely and free of errors.
- Do not install the AC adaptor at a cold place (below -20°C) or a hot place (over $+60^{\circ}\text{C}$) because extremely low or high temperature will cause operation instability.

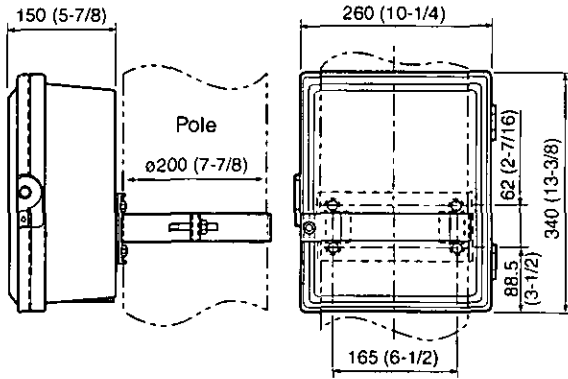
■ Mounting Procedures

- ① Fasten the pole mounting plate and the belt (to be locally purchased) on the back of the AC adaptor with the four bolts (supplied).

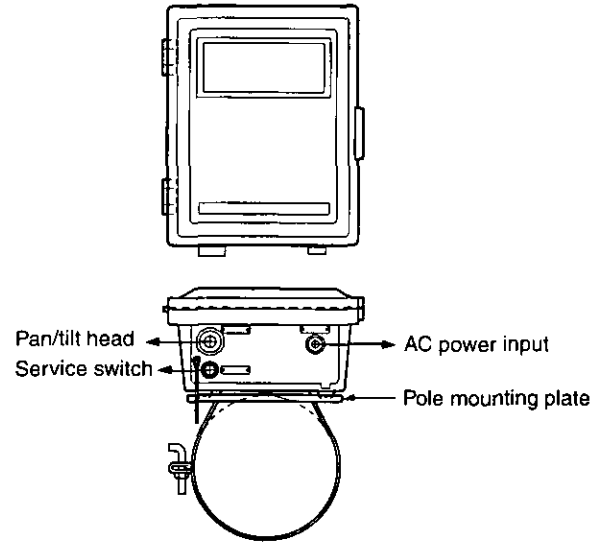


- ② Fasten the AC adaptor to the pole using the pole mounting plate and the belt.

Unit: mm (inch)



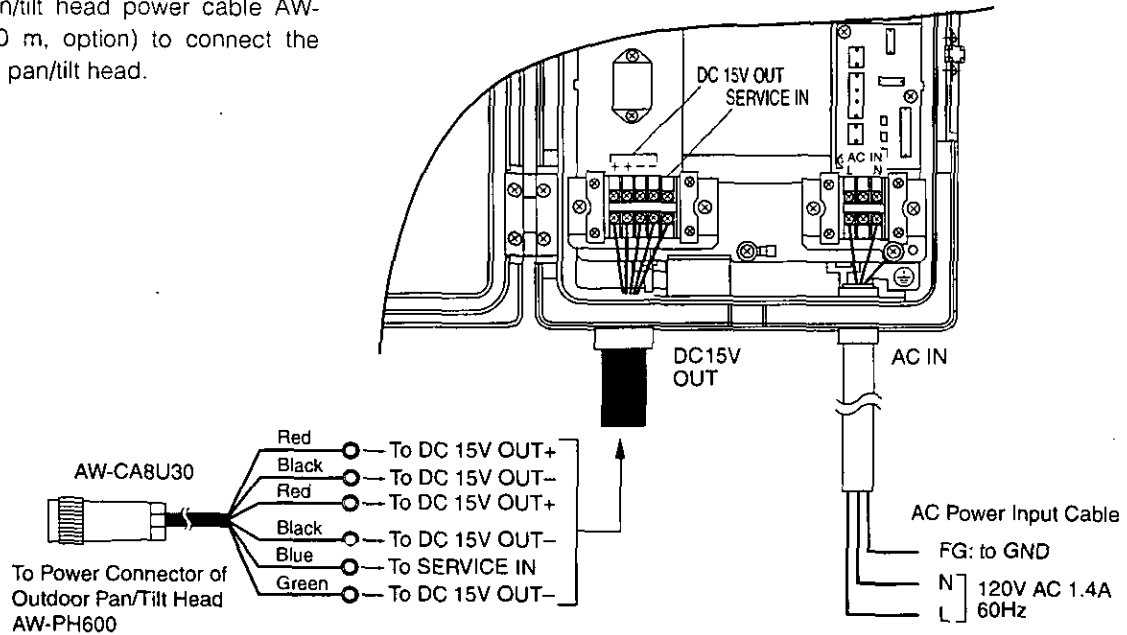
- ③ Connect the cables. (Refer to the CONNECTION.)
The distance to the pan/tilt head should be within the length of the pan/tilt head power cable AW-CA8U30 (30 m, option).



CONNECTION

■ Connection with Pan/Tilt Head

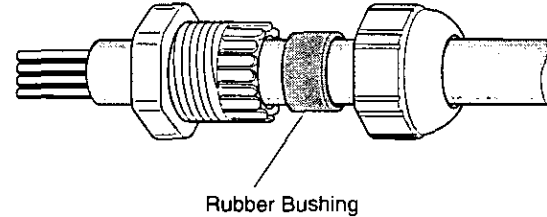
- Use the pan/tilt head power cable AW-CA8U30 (30 m, option) to connect the adaptor to a pan/tilt head.



- Pass the DC output cable and AC power input cable through the rubber bushing and tighten it securely to prevent rainwater and waterdrops from entering.

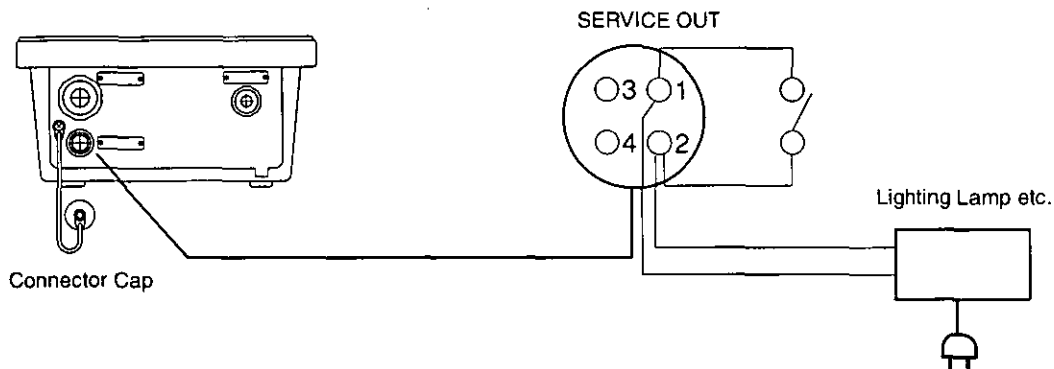
■ AC Power Input Connection

- The cable is to be purchased locally. Use an outdoor water-proof cable.
- Use a cable having a capacity adequate for the purpose. (120V AC 2A or more)
- Pass the cable through the AC input cable bushing and tighten it securely to prevent rainwater and waterdrops from entering. (Applicable cable size: 4 to 10 mm in diameter)

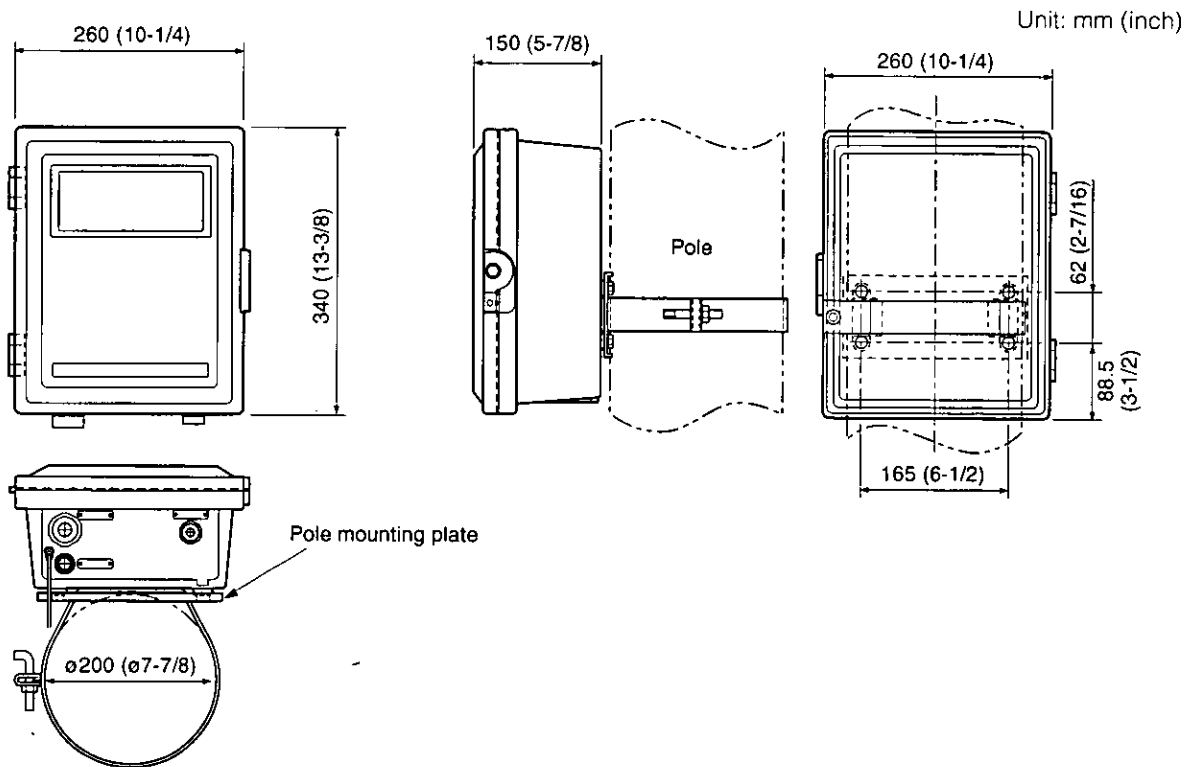


■ Service Switch Connection

- Connect the service out to the lighting lamp etc. with a waterproof cable (to be locally purchased) with a nominal cross section of 0.3 mm^2 or over which meets the UL specification.
- The maximum permissible cable extension length is 30 m.
- The maximum contact capacity is 120 V, 1 A (AC/DC).
- Be sure to keep the connector cap tight and secure on the service out connector while it is not in use.



APPEARANCE



SPECIFICATIONS

Power source:	120 V AC 60 Hz
Power consumption:	1.4 A
Output:	DC 15 V, 8A (with an overcurrent protection circuit)
Pan/tilt head connecting cable:	AW-CA8U30 (30 m, option)
Service switch contact output:	Maximum capacity 120 V, 1 A (120 W), AC/DC
Maximum cable extension length:	30 m (Pan/tilt head, service switch)
Working temperature range:	-20°C - +60°C
Dimensions:	260 (W) x 340 (H) x 150 (D) mm [10-1/4" (W) x 13-3/8" (H) x 5-7/8" (D)]
Weight:	6 kg (13.23 lbs)
Finish:	AV ivory paint (Munsell 7.9Y6.8/0.8 or approximate)

Weight and dimensions indicated are approximate.
Specifications are subject to change without notice.

STANDARD ACCESSORIES

Pole mounting plate 1 set

Panasonic

PANASONIC BROADCAST & DIGITAL SYSTEMS COMPANY
DIVISION OF MATSUSHITA ELECTRIC CORPORATION OF AMERICA

Executive Office:

3330 Cahuenga Blvd W., Los Angeles, CA 90068 (323) 436-3500

EASTERN ZONE:

One Panasonic Way 4E-7, Secaucus, NJ 07094 (201) 348-7621

Mid-Atlantic/New England:

One Panasonic Way 4E-7, Secaucus, NJ 07094 (201) 348-7621

Southeast Region:

1225 Northbrook Parkway, Ste 1-160, Suwanee, GA 30024 (770) 338-6835

Central Region:

1707 N Randall Road E1-C-1, Elgin, IL 60123 (847) 468-5200

WESTERN ZONE:

3330 Cahuenga Blvd W., Los Angeles, CA 90068 (323) 436-3500

Dallas Region:

6226 Abington Way, Houston, TX 77008 (713) 802-2726

No. CA/Northwest Region:

5870 Stoneridge, #3, Pleasanton, CA 94588 (925) 416-5108

Government Marketing Department:

52 West Gude Drive, Rockville, MD 20850 (301) 738-3840

Panasonic Canada Inc.

5770 Ambler Drive, Mississauga, Ontario L4W 2T3 (905) 624-5010

Panasonic Sales Company

Division of Matsushita Electric of Puerto Rico Inc.

San Gabriel Industrial Park, 65th Infantry Ave., Km. 9.5, Carolina, Puerto Rico 00630 (787) 750-4300

Printed in Japan
7J1A429B

F0200Y1090 

